

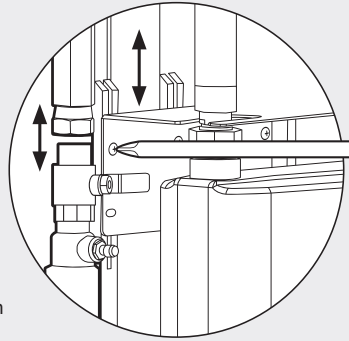
Installation Tips

If the ECV and regulator connections are too far apart or too close you can adjust the height of the internal assembly.

Using Philips screwdriver remove the 3 screws that hold the meter bracket. Then adjust the position to the required height and secure the meter bracket again using the same screws.

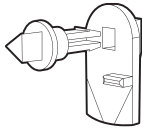
Costal Areas

All metal components of the meter box are manufactured from high quality materials and protected from corrosion. However in costal areas where the environment especially aggressive, we recommend spaying all metal components with Rocco[®] "Z30" or "Heavy Duty Rustshield" spray, or another suitable alternative.

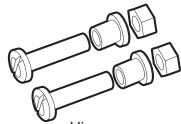


Spare Parts

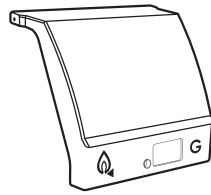
Please see spare part for the Meter box.
For internal spares please contact: sales@clesse.co.uk



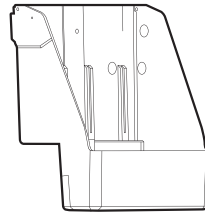
Lock
UUMB-LOCK



Hinges
UUMB-HINGE

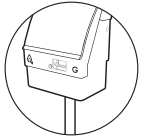


Lid
UUMBLXXX*

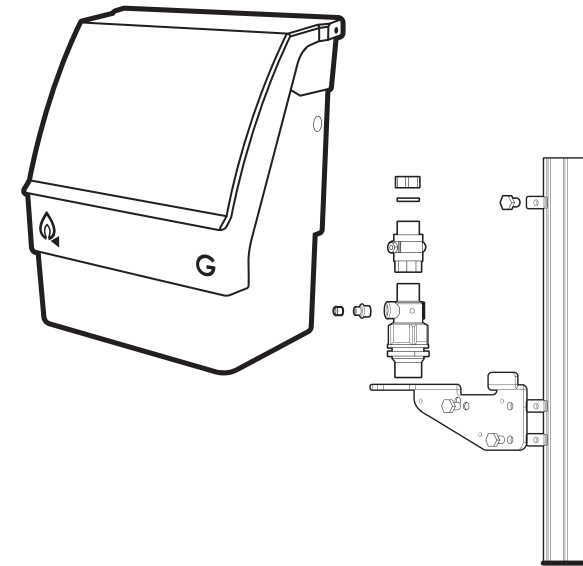


Box Base
UUMBXXXX*

* Please advise colour and version when placing your order.



POST MOUNTING KIT INSTRUCTIONS



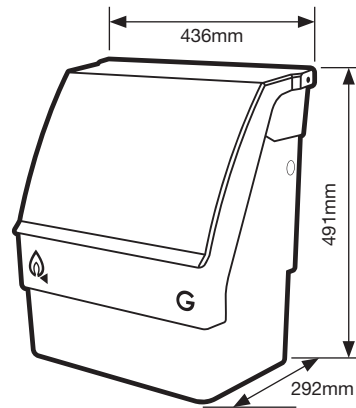
EVOLUTION



Meter Box Location (MP installations only)

When locating the meter box at the property, please ensure that the minimum recommended clearances as per the table below adhere to:

Semi concealed meter box to opening	A	1000mm
Other types of meter housing to opening	B	180mm
Meter housing to electrical equipment	C	330mm
Vent to opening	D	570mm
Vent to electrical equipment	E	850mm



- A** Distance from the meter box to any un-trapped drain, gully, balanced flue terminal or low level opening into the building such as doors or air bricks which are sited below 250mm from ground level.
- B** Distance from the housing to any opening into a building i.e. opening windows, doors, air bricks, and balanced flue terminals.
- C** Distance from the housing to any electrical equipment.
- D** Distance from vent discharge point to any opening into the property or un-trapped drain or gully.
- E** Distance of vent discharge point to any electrical equipment.

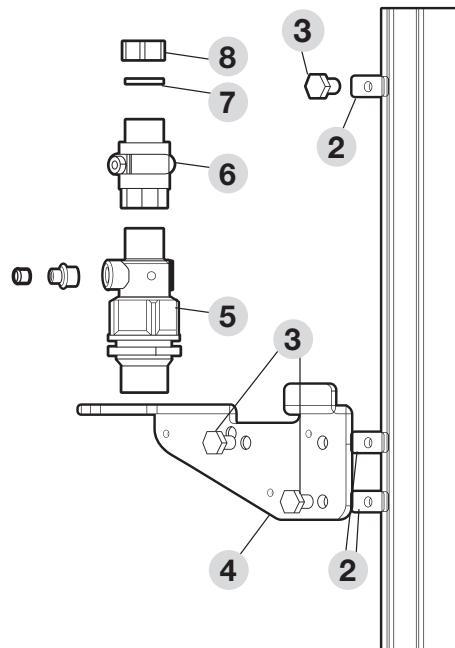
Component List

Tools Required

- 2 Adjustable spanners
- Allen key – 6mm
- Philips screwdriver

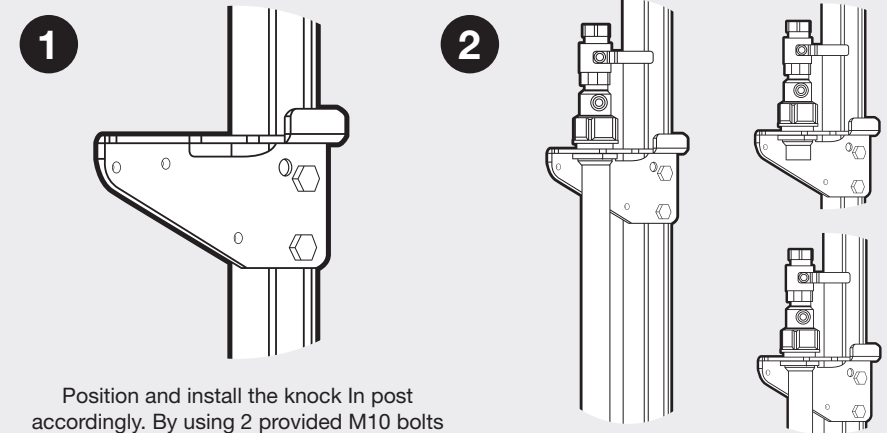
List of components:

No	Description	Qty
1	1.5 m knock in post	1
2	M10 unistrut spring nuts	3
3	M10 x 25mm bolts	3
4	Post bracket	1
5	PE transition fitting	1
6	ECV valve	1
7	Sealing washer / gasket	1
8	Blanking cap	1



Installation Guide

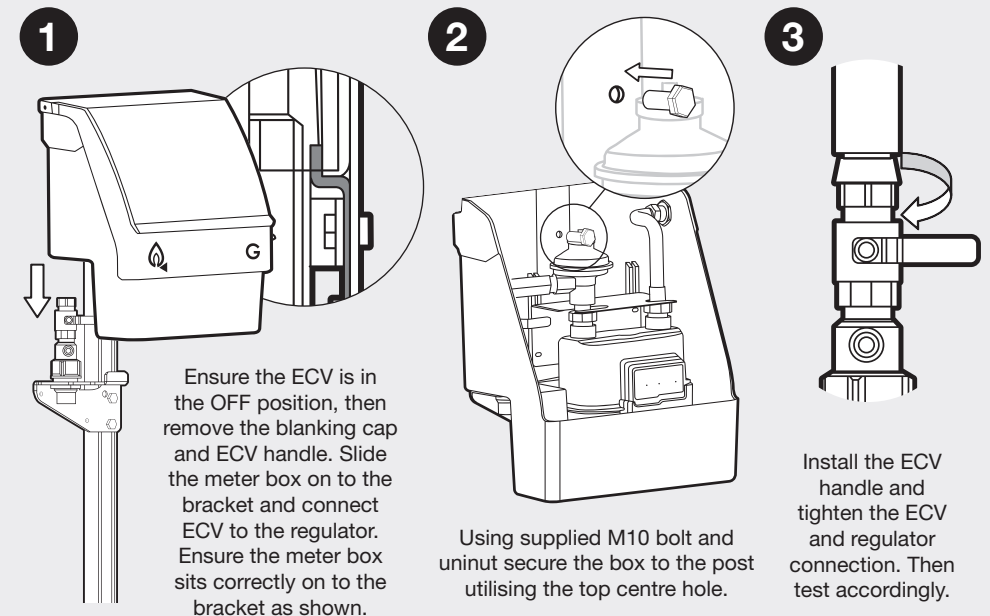
Bracket installation



Position and install the knock In post accordingly. By using 2 provided M10 bolts and Uni-nuts install PE transition fitting mounting bracket and support bracket as per the below image. 3rd uni-nut and M10 bolt will be used to secure meter box.

Securely install PE transition fitting with ECV, and secure the PE transition fitting with provided C-clip. Ensure the blanking cap with washer is fitted.

Box installation



Ensure the ECV is in the OFF position, then remove the blanking cap and ECV handle. Slide the meter box on to the bracket and connect ECV to the regulator. Ensure the meter box sits correctly on to the bracket as shown.

Using supplied M10 bolt and unistrut secure the box to the post utilising the top centre hole.

Install the ECV handle and tighten the ECV and regulator connection. Then test accordingly.

Final connection, testing and purging should be done by qualified gas safe engineer.