

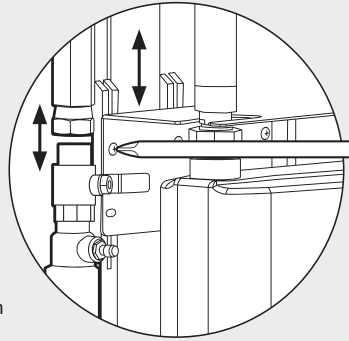
Installation Tips

If the ECV and regulator connections are too far apart or too close you can adjust the height of the internal assembly.

Using Philips screwdriver remove the 3 screws that hold the meter bracket. Then adjust the position to the required height and secure the meter bracket again using the same screws.

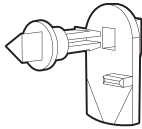
Costal Areas

All metal components of the meter box are manufactured from high quality materials and protected from corrosion. However in costal areas where the environment especially aggressive, we recommend spaying all metal components with Rocol® "Z30" or "Heavy Duty Rustshield" spray, or another suitable alternative.

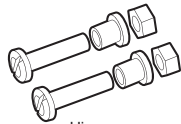


Spare Parts

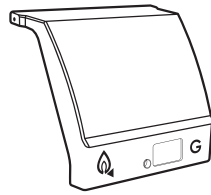
Please see spare part for the Meter box.
For internal spares please contact: sales@clesse.co.uk



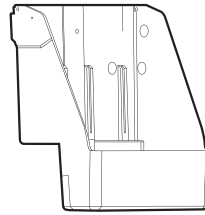
Lock
UUMB-LOCK



Hinges
UUMB-HINGE

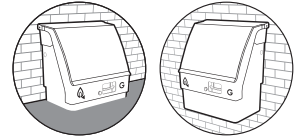


Lid
UUMBLXXX*

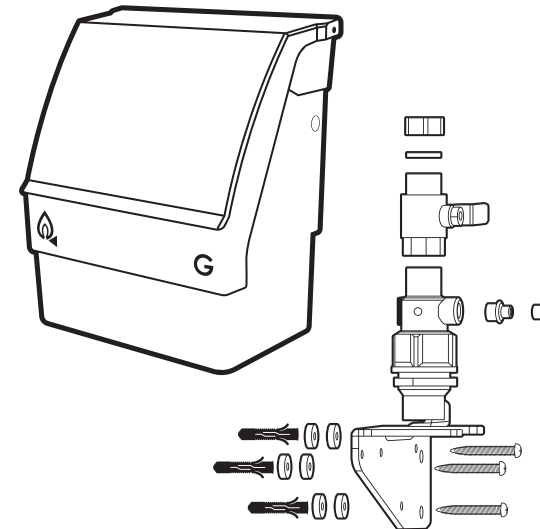


Box Base
UUMBXXXX*

* Please advise colour and version when placing your order.



WALL / SEMI CONCEALED MOUNTING KIT INSTRUCTIONS



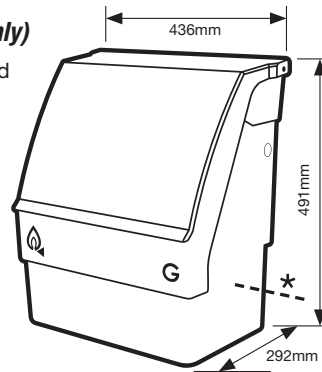
EVOLUTION



Meter Box Location (MP installations only)

When locating the Meter box on the Wall or as Semi Concealed against the building, please ensure that the minimum recommended clearances as per the table below adhere to:

Semi concealed meter box to opening	A	1000mm
Other types of meter housing to opening	B	180mm
Meter housing to electrical equipment	C	330mm
Vent to opening	D	570mm
Vent to electrical equipment	E	850mm



- A** Distance from the meter box to any un-trapped drain, gully, balanced flue terminal or low level opening into the building such as doors or air bricks which are sited below 250mm from ground level.
- B** Distance from the housing to any opening into a building i.e. opening windows, doors, air bricks, and balanced flue terminals.

- C** Distance from the housing to any electrical equipment.
- D** Distance from vent discharge point to any opening into the property or un-trapped drain or gully.
- E** Distance of vent discharge point to any electrical equipment.

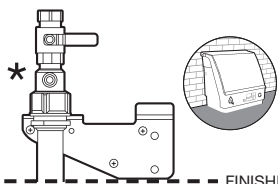
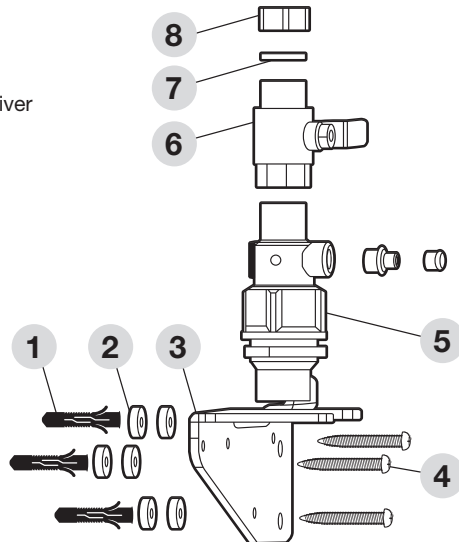
Component List

Tools Required

- Drill with masonry drill bit 8mm
- Philips screwdriver
- 2 Adjustable spanners

List of components:

No	Description	Qty
1	Raw plug	5
2	Nylon spacer	6
3	Wall bracket	1
4	No12 screws 2" long	5
5	PE transition fitting	1
6	ECV valve	1
7	Sealing washer / gasket	1
8	Blanking cap	1



Semi Concealed Meter Box - ensure the bottom of the bracket shown is no lower than the finished ground level surface. This will then ensure the meter box is buried to no more than the recommended depth as indicated by *

Installation Guide

Bracket installation

- Place the mounting bracket against the wall where the PE pipe is located and mark / drill suitable holes for the supplied raw plugs.
- Install raw plugs and using supplied spacers to ensure the bracket is levelled with wall and spaced at least 6 mm from the wall.
- Ensure the bracket is firmly attached to the wall and that it is level.
- Install PE transition fitting as supplied with ECV. Ensure the blanking cap with washer is fitted until meter box installation.

Box installation

- Ensure the ECV is in the OFF position, then remove the blanking cap and ECV handle. Slide the meter box on to the bracket and connect ECV to the regulator.
- Install the ECV handle and tighten the ECV and regulator connection. Then test accordingly.
- Ensure the box is firmly located on to the bracket.
- Once the meter box is correctly located on the bracket, locate the two guidelines and drill the holes about 20-30 mm below the edge of the box. This will ensure correct fitments and that the wall distance is correct. Both scribe lines are located about 40mm from the left and right side wall. Once drilled use remaining raw plugs and screws to secure the box against the wall.

Once the meter box is correctly located on the bracket, locate the two guidelines and drill the holes about 20-30 mm below the edge of the box. This will ensure correct fitments and that the wall distance is correct. Both scribe lines are located about 40mm from the left and right side wall. Once drilled use remaining raw plugs and screws to secure the box against the wall.

Final connection, testing and purging should be done by qualified gas safe engineer.